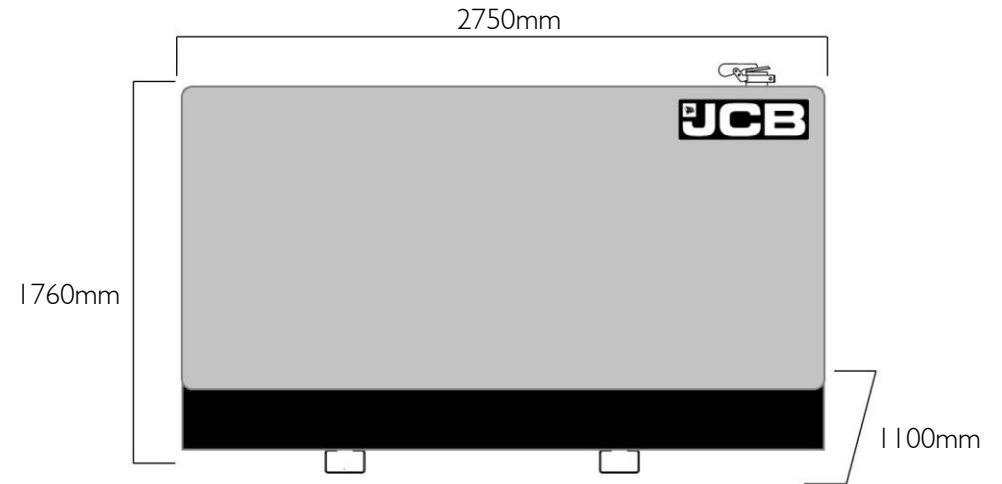


# GI40QS | Canopy Set

PRIME KVA: 124.90 | STANDBY KVA 138.20



STANDBY SPECIFICATION GENERATOR

FUEL OPTIMISED

## ELECTRICAL

Frequency (Hz)	Phases	Voltage (V)	Prime		Standby		MCB Rating (A)	Minimum ATP Rating (A)	Rated Speed (RPM)
			kVA	kW	kVA	kW			
50	3	400/230V	124.90	100.00	138.20	110.60	250.00	250.00	1500
60	3	380/220V	131.30	105.00	142.50	114.00	250.00	250.00	1800
60	3	220/127V	132.80	106.20	146.90	117.50	400.00	400.00	1800
60	3	480/277V	124.90	100.00	138.20	110.60	250.00	250.00	1800

## POWER FACTOR

3 Phase	0.8
1 Phase	1

## MAXIMUM LOAD IMPACT\*

kVA	106.00
kW	85.00

\*With 20% voltage and 10% frequency deviation @ 50Hz, 400V

## ALL RATINGS ARE TO STANDARD REFERENCE CONDITIONS ISO 8528

**Prime:** This rating is for the supply of continuous electrical power, at variable load, in lieu of commercially purchase power. There is no limitation on the annual hours of operation and 10% over load power can be supplied for 1 hour in 12.

**Standby:** This rating is for the supply of continuous electrical power, at variable load, in the event of a utility power failure. No overload is permitted.

**Stage IIIa** models are only emissions compliant at 50Hz Prime Power in accordance with 97-68EC.

**JCB GENERATOR TECHNICAL SPECIFICATIONS.** Tel: +44 (0)1889 590312. [www.jcbgenerators.com](http://www.jcbgenerators.com). JCB reserves the right to change specifications without notice. Illustrations shown may include optional equipment and accessories.

# GI40QS | Canopy Set

PRIME KVA: 124.90 | STANDBY KVA 138.20



## CANOPY/SKID

Lockable Maintenance Access Doors	●
Control Panel Viewing Window	●
Fork Pockets	Δ
Single Lift Point	Δ
Bunding	Δ
Open Frame	x
High Density Fire Retardant Foam	●
Yellow Paint	●
White Paint	Δ
Standard: ●      Not Available: x      Optional: Δ	

## ALTERNATOR HM250BI

Poles	4
Winding Connections	Star
Insulation	Class H
Enclosure	IP23
Exciter System	Self-regulating brushless
Voltage Regulator	AVR
Steady State Voltage Regulation	+/- 1.5%
Bearing	Single bearing sealed
Coupling	Flexible disc
Cooling	Direct drive centrifugal blower fan
Coating	Winding Protection Grey

## STARTING SYSTEM

Starter Motor	kW	3.00
Battery Capacity	Ah	120
Number of Batteries		1
Auxiliary Voltage	V	12

## ENGINE

<b>1500 RPM</b>		
Output Rating (PRP)	kW	127.00
Output Rating (Standby)	kW	139.70
<b>1800 RPM</b>		
Output Rating (PRP)	kW	132.292
Output Rating (Standby)	kW	145.521
Manufacturer and Model		JCB TCAG S2
Fuel		Diesel
Injection		Direct
Aspiration		Turbo Charged
Cylinders		4
Bore and Stroke	mm	106 x 135
Displacement	L	4.765
Cooling		Water
Engine Oil Specification		API CF-4
Compression Ratio		18 : 1
Engine Oil Capacity	L	14.00
Coolant Capacity	L	18.00
Governor		Mechanical
Air Filter		Two stage with restriction indicator
Engine Oil Consumption	100% Load	0.1% of fuel consumed

## FUEL SYSTEM

Diesel Specification		EN590
Standard Fuel Tank Capacity	L	285

# GI40QS | Canopy Set

PRIME KVA: 124.90 | STANDBY KVA 138.20



## FUEL CONSUMPTION

Load	Unit	Frequency	Value
100% Load Prime	L/h	50Hz	29.60
75% Load Prime	L/h		22.40
50% Load Prime	L/h		16.00
100% Load Standby	L/h		32.70
100% Load Prime	L/h	60Hz	37.00
75% Load Prime	L/h		28.00
50% Load Prime	L/h		20.00
100% Load Standby	L/h		41.00

## EXHAUST SYSTEM

Parameter	Unit	Frequency	Value
Maximum Temperature 100% Standby	°C	50Hz	551.00
Exhaust Gas Flow 100% Standby	m <sup>3</sup> /min		0.50
Maximum Allowed Back Pressure	mbar		100.00
Maximum Temperature 100% Standby	°C	60Hz	460.00
Exhaust Gas Flow 100% Standby	m <sup>3</sup> /min		724.00
Maximum Allowed Back Pressure	mbar		100.00
Exhaust Flange Size	mm	72.5	

## AIR SYSTEM

Parameter	Unit	Frequency	Value
Intake Air Flow 100% Standby	m <sup>3</sup> /h	50Hz	506.00
Total Cooling Air Flow 100% Standby	m <sup>3</sup> /s		234.00
Alternator Fan Airflow	m <sup>3</sup> /s		31.00
Intake Air Flow 100% Standby	m <sup>3</sup> /h	60Hz	612.00
Total Cooling Air Flow 100% Standby	m <sup>3</sup> /s		234.00
Alternator Fan Airflow	m <sup>3</sup> /s		31.00

## SOUND PRESSURE (CANOPY ONLY)

Frequency	Unit	Value
50Hz	LpA (7m)	66 dB(A)
60Hz	LpA (7m)	67 dB(A)

## MECHANICAL FEATURES

Cooling Pack	●
Air Filter	●
Mechanical Governor	●
Low Oil Pressure Switch	●
Coolant Temperature Sender	●
Oil Temperature Sender	●
Radiator Guards	●
Hot Component Guards	Δ
Manual Oil Drain Pump (Canopy)	Δ
Water Jacket Heater	Δ
Pre-Filter with Separator	●
Fuel Level Sender	●
Internal Fuel Fill (Belly Tank)	Δ
3 Way Fuel Valve	Δ
Residential Silencer	●
Industrial Silencer	x

Standard: ● Not Available: x Optional: Δ

# GI40QS | Canopy Set

PRIME KVA: 124.90 | STANDBY KVA 138.20



## ELECTRICAL FEATURES

AVR DSR	●
AVR DER	x
Winding Protection Standard	x
Winding Protection Standard +	x
Winding Protection Grey	●
Winding Protection Total	Δ
Winding Protection Total +	Δ
MAUX	●
PMG	Δ
Anti-Condensation Heater	Δ
3 Pole Moulded Case Circuit Breaker	●
4 Pole Moulded Case Circuit Breaker	Δ
Earth Leakage Protection (Shunt Trip)	●
Preparation for Earth Spike	●
Optional Voltages	Δ
Remote Screen	Δ
Emergency Stop Button	●
External Emergency Stop Button	●
Standard: ● Not Available: x Optional: Δ	

## BATTERY FEATURES

Battery Isolator	Δ
Battery Type	Gel
Battery Size (Ah)	120
Number of Batteries	1
Battery Charger	●
Standard: ● Not Available: x Optional: Δ	

## JCB COMMUNICATION AND CONTROL

4510	●
4520	Δ
Standard: ● Not Available: x Optional: Δ	

## WEIGHT AND DIMENSIONS

Length	mm	2750
Width	mm	1100
Height	mm	1760
Shipping Volume (sea ready)	m <sup>3</sup>	5.32
Weight*	Kg	1720.00

\*Standard build with all fluids except fuel

## OPTIONAL CE PACK

EMC Certification	●
Hot Guards	●
Belt Guards	●
Earth Leakage Relay	●
Sound Power Decal	●
EU Declaration for Engine Emissions	●
Complete Machine Declaration of Conformity	●
Standard: ● Not Available: x Optional: Δ	

## REFERENCE STANDARDS

JCB Generators are CE certified and conform to the following Directives (subject to a country requiring such standard):

- EN 12100, EN13857, EN60204
- 2006/42/CE Machinery safety
- 2006/95/EC Low voltage
- 2004/108/CE Electromagnetic compatibility
- 2000/14/EC Sound Power Level (amended by 2005/88/EC)
- 97/68/EC Emissions(amended by 2002/88/EC & 2004/26/EC)
- Power according to ISO 8528 and ISO 3046
- Ambient reference conditions 1000mbar, 25°C, 30% relative humidity ISO3046

Information based on standard specification equipment unless otherwise stated.