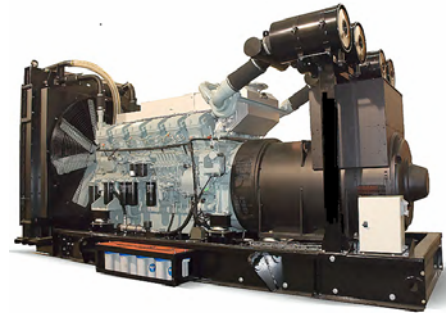




# JCB DIESEL GENERATOR TECHNICAL SPECIFICATIONS



G1500QX



G1500X

Powered by MITSUBISHI

ELECTRICAL		PRIME	STAND BY
Output Rating	kVA	1388	1500
	Kw	1110	1200
Frequency	Hz	50	
Rated Speed	RPM	1500	
Standard Voltage	v	400/230	
Circuit Breaker	amp	2000	
Power Factor		0.8	

ALTERNATOR		
Poles	No	4
Winding Connections		Star
Frame Mounting		SAE 0-21"
Insulation	Class	H
Enclosure		IP23
Exciter System		Self-regulating brushless
Voltage Regulator		AVR (electronic)
Stead Voltage		+/- 1.5%
Bearing		Single bearing sealed
Coupling		Flexible disc

**Prime:** This rating is for the supply of continuous electrical power, at variable load, in lieu of commercially purchase power. There is no limitation on the annual hours of operation and 10% over load power can be supplied for 1 hour in 12.

**Standby:** This rating is for the supply of continuous electrical power, at variable load, in the event of a Utility power failure. No overload is permitted.

ENGINE		PRIME	STAND BY
Output Rating	Kw	1195	1315
Manufacturer		MITSUBISHI	
Engine Model		S12R-PTA2	
Fuel		Diesel	
Injection		Direct	
Aspiration		Turbo Charged with Inter-cooler	
Cylinders	L	12V	
Bore and Stroke	mm	170 x 180	
Displacement	l	49.03	
Cooling		Water	
Engine Oil		API CD CF – SAE 30 - SAE 40	
Compression Ratio		13.5:1	
Fuel Consumption			
100% Load Prime	l/h	294	
75% Load Prime	l/h	220	
100% Load Standby	l/h	323	
75% Load Standby	l/h	242	
Engine Oil Capacity	l	180	
Coolant capacity	l	335	
Governor		Electronic	
Air Filter		Heavy Duty	

EXHAUST SYSTEM		
Maximum Temperature 100% Standby	°C	520
Exhaust Gas Flow 100% Standby	m <sup>3</sup> /min	279
Maximum Allowed Back Pressure	mm H <sup>2</sup> O	600
Exhaust Flange Size (Internal Diameter)	mm	300

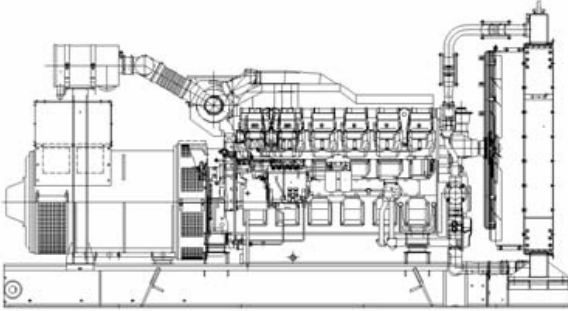
AIR SYSTEM		
Intake Air Flow 100% Standby	m <sup>3</sup> /min	105
Cooling Air Flow 100% Standby	m <sup>3</sup> /min	1800

STARTING SYSTEM		
Starter Motor	Kw	7.5 x 2
	CV	10.2 x 2
Battery Capacity	Ah	400
Auxiliary Voltage	VCC	24
Starter Current – Maximum Power	Amp	1250
– Firing Speed	Amp	400

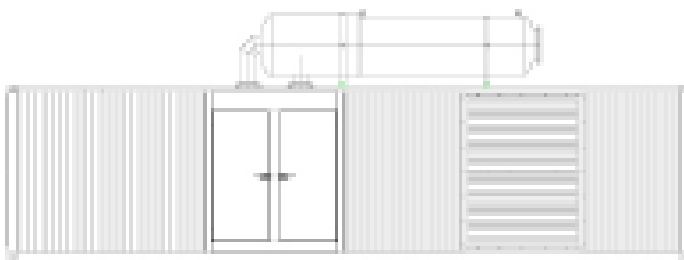
FUEL SYSTEM		
Diesel Specification		BS2869 class A or ASTM D975No.2
Maximum suction head of feed pump	mm Hg	75
Maximum static head return & leak off	mm Hg	150
Open Skid Fuel Tank Capacity	l	400
Container Fuel Tank Capacity	l	2000

**WEIGHT AND DIMENSIONS - OPEN**

Length	mm	4,450
Width	mm	2,050
Height	mm	2,335
Shipping Volume (Sea Ready)	m <sup>3</sup>	30.42
Wet Weight (Standard Build)	Kg	12,250
Dry Weight (Standard Build)	Kg	11,787

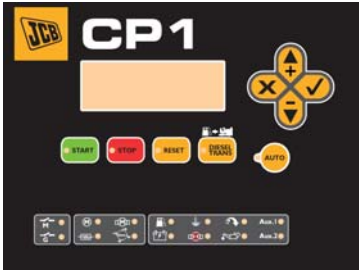
**JCB GI500X****WEIGHT AND DIMENSIONS - 40HC ISO CONTAINER**

Length	mm	12,192
Width	mm	2,438
Height	mm	2,896
Shipping Volume (Sea Ready)	m <sup>3</sup>	75.3
Wet Weight (Standard Build)	Kg	20,250
Dry Weight (Standard Build)	Kg	19,787
Sound Level @ 1M	db(A)	86

**JCB GI500QX**

## CONTROL PANEL – JCB CP1

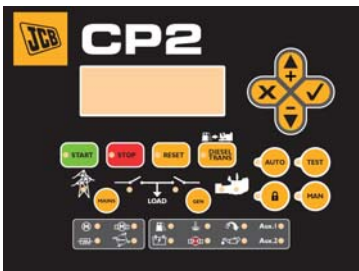
The JCB CPI control system is digital and has the capability to control, monitor and protect the generator. The display allows the user to easily monitor the status of the generator through an LCD display and LED outputs. It enables control of the generator operations through soft touch push button functionality and multi lingual capability



## CONTROL PANEL – JCB CP2

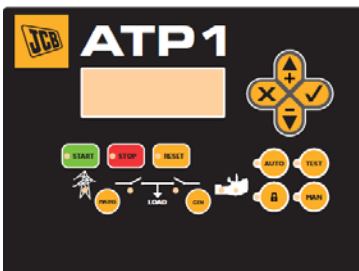
The JCB CP2 control system is digital and has the capability to control, monitor and protect the generator the same as the JCB CPI panel but additionally incorporates the functionality of the control module of the JCB ATP1.

The JCB CP2 Panel constantly monitors the mains and has to be hardwired into both mains and generator contactors. The display allows the user to easily monitor the status of the generator as well as controlling generator operation



## CONTROL PANEL – JCB ATP1

The JCB ATP1 control module is integrated into an Automatic Transfer Switch, which provides automatic mains failure capability. The JCB ATP1 can communicate with a generator through either 2 wire start volt free contactors or CANBUS through CPI to ATP1 (not compatible with CP2). The JCB ATP1 when connected via CANBUS to the JCB CPI will give control functions and display generator information.



CONTROL PANEL FEATURES	CPI	CP2	ATPI
<b>GENERATOR</b>			
Phase to Phase Voltage	•	•	•
Phase to Neutral	•	•	•
Phase Amperage	•	•	•
Frequency	•	•	•
kVA	•	•	•
Kw	•	•	•
kVA <sub>r</sub>	•	•	•
Power Factor	•	•	•
<b>MAINS</b>			
Phase to Phase Voltage	x	•	•
Phase to Neutral	x	•	•
Phase Amperage	x	•	•
Frequency	x	•	•
kVA	x	x	•
Kw	x	x	•
kVA <sub>r</sub>	x	x	•
Power Factor	x	x	•
<b>ENGINE</b>			
Coolant Temperature	•	•	x
Oil Pressure	•	•	x
Fuel Level Percentage	•	•	x
Battery Voltage	•	•	x
Engine RPM	•	•	x
Battery Charge Alternator Voltage	•	•	x
<b>ENGINE ALARMS</b>			
High Water temperature	•	•	x
High Coolant Temperature	•	•	x
Low Oil Pressure	•	•	x
Low Coolant Level	•	•	x
Unexpected Shutdown	•	•	x
Failure to Stop	•	•	x
Battery Voltage Failure	•	•	x
Battery Charge Alternator Failure	•	•	x
Over Speed	•	•	x
Under Speed	•	•	x
Failure to Start	•	•	x
Low Fuel level	•	•	x
Emergency Stop	•	•	•
<b>ALTERNATOR ALARMS</b>			
High Frequency	•	•	•
Low Frequency	•	•	•
High Voltage	•	•	•
Low Voltage	•	•	•
Over Amperage	•	•	x
Short Circuit	•	•	x
Symmetry Between Phases	•	•	•
Incorrect Phasing	•	•	•
Inverse Power	•	•	x
Over Load	•	•	x
Generator Drop	x	x	•

• Standard    x Not Available			
CONTROL PANEL FEATURES	CPI	CP2	ATPI
MEASUREMENT			
Total Hours Run	•	•	•
Kilowatt Meter	•	•	•
Number of Starts	•	•	•
Number of Start Failures	•	•	•
Service Indicator	•	•	•
CONNECTIVITY			
Remote Screen (CAN)	△	△	△
Local Monitoring (CANBUS)	△	△	△
Local Monitoring (CANLAN)	△	△	△
Remote Monitoring (CANModem – Fixed)	△	△	△
Remote Monitoring (CANModem – GSM)	△	△	△
FEATURES			
Events History	•	•	•
External Start capability	•	•	•
Programmable Start Restriction	•	•	•
Mains Failure Start	•	•	•
Generator Contact Activation	•	x	x
Mains and Generators Contact Activation	x	•	•
Fuel Transfer Control	•	•	x
Engine Temperature	•	•	x
Manual Override	•	•	x
Programmable Alarms	•	•	x
Generator Start in Test Mode	•	•	x
Programmable Outputs	•	•	x
Multi Lingual	•	•	•
Programmable Timer	•	•	x
Synchronisation	•	•	x

• Standard    x Not Available    △ Optional

## REFERENCE STANDARDS

JCB Generators are CE certified and conform to the following Directives:

- EN ISO 13857:2008
- 2006/95/EC
- 89/336/EEC
- 2000/14/EC (amended by 2005/88/EC)
- 97/68/EC (amended by 2002/88/EC & 2004/26/EC)
- Ambient reference conditions 1000mbar, 25°C, 30% relative humidity ISO8528
- Power according to ISO3046

GENERATOR FEATURES		STANDARD	OPTIONAL
<b>ENGINE</b>			
Engine	•		x
Cooling Pack	•		x
Tropicalised Radiator	x		•
Heavy Duty Air Filter	•		x
MTU ADEC Governor	•		x
High Water Temperature Sender	•		x
Low Oil Pressure Sender	•		x
Oil Temperature Sender	•		x
Radiator Guards	•		x
Hot Component Guards	•		x
Manual Oil Drain Pump	•		x
Electric Oil Drain Pump	x		•
Fuel Heater	x		•
Electric Fuel Transfer Pump	x		•
Low Coolant Level Senders	•		x
Battery Charger	x		•
Water Jacket Heater	x		•
Exhaust Gas Compensator	•		x
Industrial Silencer – Open Set	•		x
Residential Silencer – Open Set	x		•
Residential Silencer – Container	•		x
<b>ELECTRICS</b>			
Alternator	•		x
Circuit Breaker	•		x
Busbar	•		x
Heavy Duty Batteries	•		x
Battery Isolator	•		x
Preparation for Earth Spike	•		x
Anti-condensation Heater	x		•
Optional Voltages	x		•
Class F Insulation	x		•
JCB CPI Digital Controller	•		x
JCB CP2 Digital Controller	x		•
JCB ATP1 Automatic Transfer Switch	x		•
External Emergency Stop Button	•		x
<b>FABRICATIONS</b>			
Heavy Duty Base Frame	•		x
Integral Fuel Tank	•		x
ISO Container 20' (6,096mm)	x		•
Double Skin Fuel Tank	x		•
Rockwool Sound Attenuation	x		•
Window for External Control Panel View	x		•
Anti-condensation Heater	x		•
Optional Voltages	x		•
Class F Insulation	x		•
JCB CPI Digital Controller	•		x
JCB CP2 Digital Controller	x		•
JCB ATP1 Automatic Transfer Switch	x		•